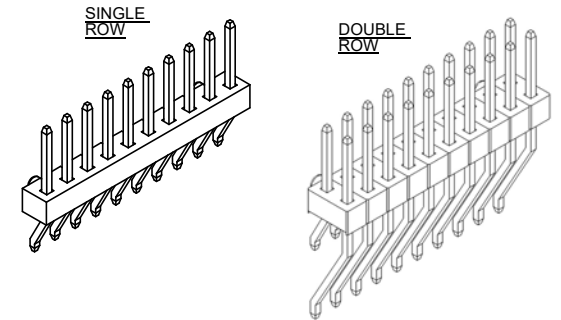
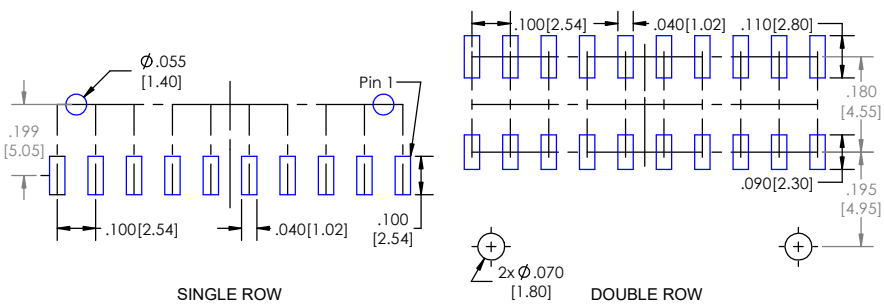
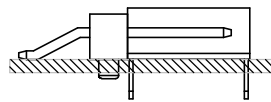


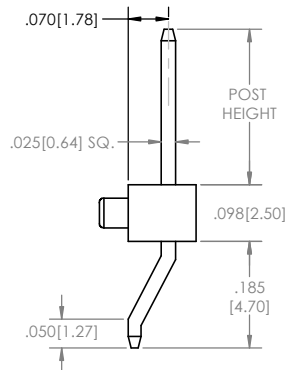
Recommended P.C. Board Layout
SCALE 4:1



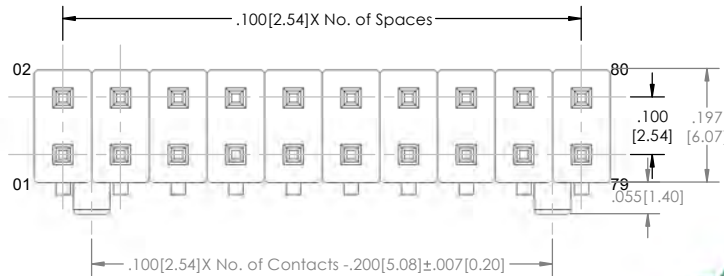
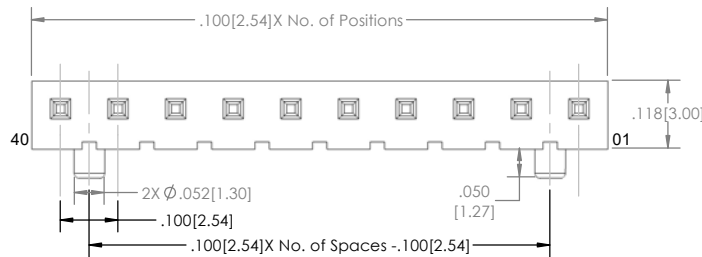
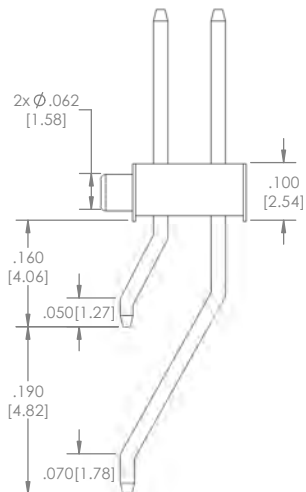
APPLICATION



SINGLE ROW



DOUBLE ROW



TSHSM-1 **XX** - **X** - **XX** - **XX** - **H** - **XXX** - **XX** - **X** - **XX** - **ETN** - **LF**
(A) (B) (C) (D) (E) (F) (G) (H) (I) (J)

- A. Pins Per Row
- 1 through 50
- B. Row Specification
- S= Single Row
- D= Double Row
- C. Pin Options
- See Pin Options below
- D. Plating Options
- See Plating Options below
- E. H= Horizontal
- F. Polarized Position
- Leave blank if not needed
- If required, specify empty pin position
- e.g. 012 for Pin 12
- G. Packing Information
- TR= Tape and Reel
- TB= Tube
- H. Pad
- P= Plastic
- K= Kapton
- O= No Pad
- If left blank, packaging at MLE's discretion
- Pad may be metal, mylar or plastic
- I. Alignment Pin
- AP= With
- J. Lead Free

Mates with:

- BCSS
- BSSH
- BSSHC
- BSSQ
- BSSQC
- BSSQM
- LBCSS
- LSMBC
- LSWSS
- SMBC
- SSHQ
- SSHQR
- SSHR
- SSHS
- SSHSM

Plating options	
G	-10µ Gold on Contact Area/ Flash on Tail
T	-Matte Tin all Over
GT	-10µ Gold on Contact Area/ Matte Tin on Tail
H	-30µ Gold on Contact Area/ Matte Tin on Tail
F	-Gold Flashover Entire Pin
FT	- Gold Flash on Contact Area/ Matte Tin on Tail

Pin Options	
Post Height	
.120	3.05mm 01
.230	5.84mm 02
.320	8.12mm 04
.420	10.67mm 06
.530	13.46mm 08
.630	16.00mm 10
.730	18.54mm 12
.830	21.08mm 14
.930	23.62mm 16

Specifications:
 Current Rating: 3.0 Ampere
 Insulation Resistance: 1000M Ohms Min.
 Dielectric Withstanding: 600V AC
 Contact Resistance: 20M Ohms Max.
 Operation Temperature: -40°C to +105°C
 Max. Process Temperature
 Peak: 260°C up to 20 secs.
 Process: 230°C up to 60 secs.
 Wave: 260°C up to 6 secs.
 Reflow: 260°C up to 10 secs.
 Manual Solder: 350°C up to 5 secs.

Materials:
 Contact Material: Phosphor Bronze
 Insulator Material: Nylon 6T
 Plating: Au or Sn over 50µ" (1.27) Ni
 Tails may be clipped to achieve specific dimensions.

Products cut to specific sizes are uncancelable/ nonreturnable.
 Parts are subject to change without notice.



PROPRIETARY AND CONFIDENTIAL
 THE INFORMATION CONTAINED IN THIS DRAWING IS THE SOLE PROPERTY OF Major League Electronics. ANY REPRODUCTION IN PART OR AS A WHOLE WITHOUT THE WRITTEN PERMISSION OF Major League Electronics IS PROHIBITED.

UNLESS OTHERWISE SPECIFIED:		NAME	DATE
DIMENSIONS ARE IN INCHES		DRAWN	EOW 10/21/15
TOLERANCES ARE:		CHECKED	GWG 10/21/15
ONE DECIMALS ±.100		ENG APPR.	
TWO DECIMAL ±.010		MFG APPR.	
THREE DECIMAL ±.005		ADDRESS:	
FOUR DECIMAL ±.002		2533 Centennial Blvd.	
NEXT ASSY	USED ON	Jeffersonville, IN 47130	
APPLICATION		Phone: 812-670-4174	
DO NOT SCALE DRAWING		Fax: 812-670-4175	
		E-Mail: mle@mlelectronics.com	

TITLE: TSHSM-1-H SERIES	
SIZE	DWG. NO.
C	
SCALE 6:1	SHEET 1 OF 1



REV **C**