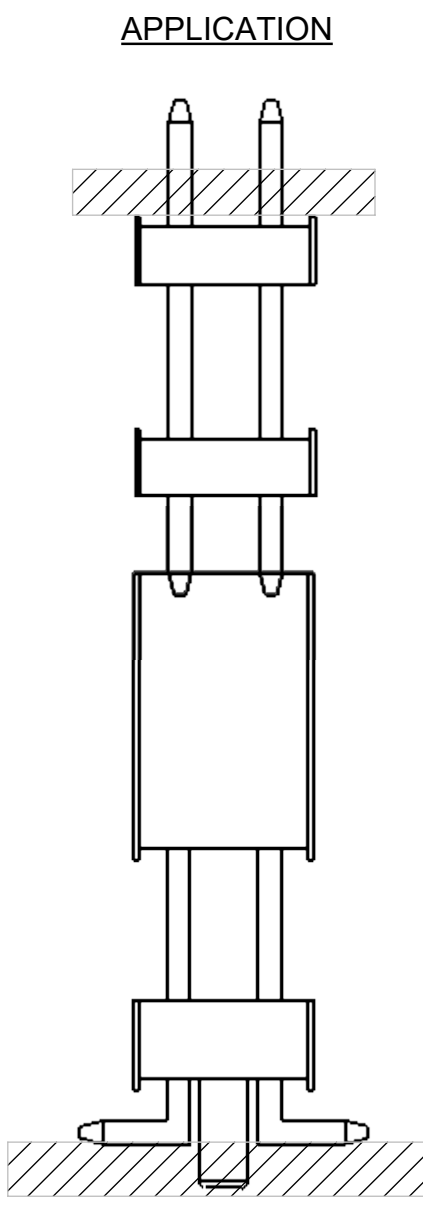
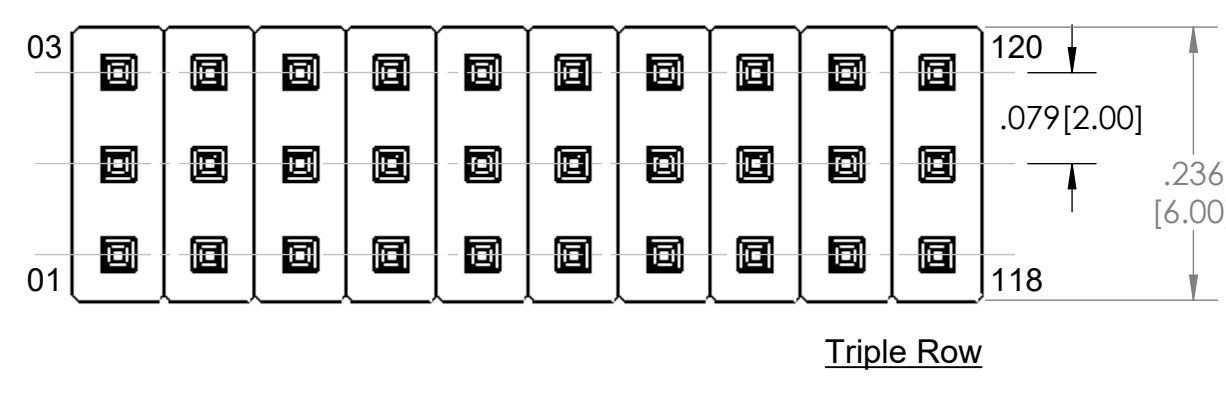
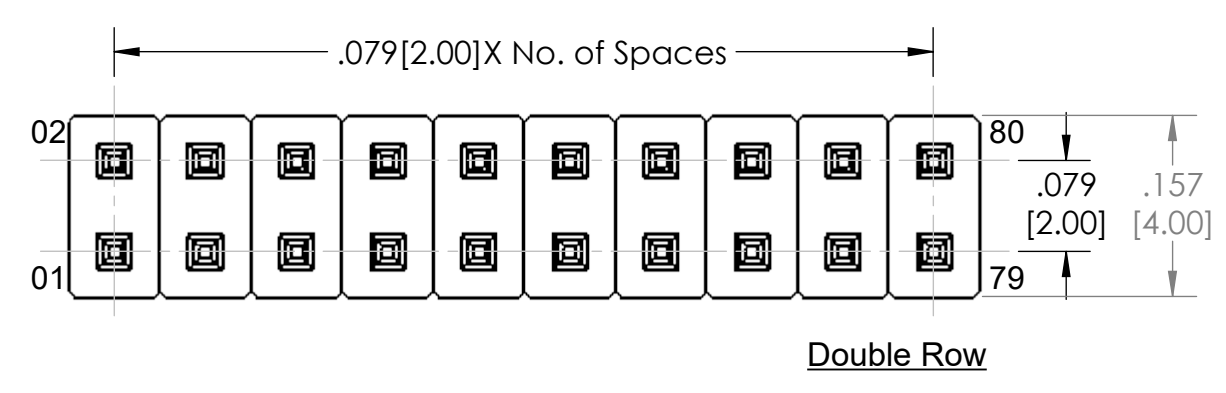
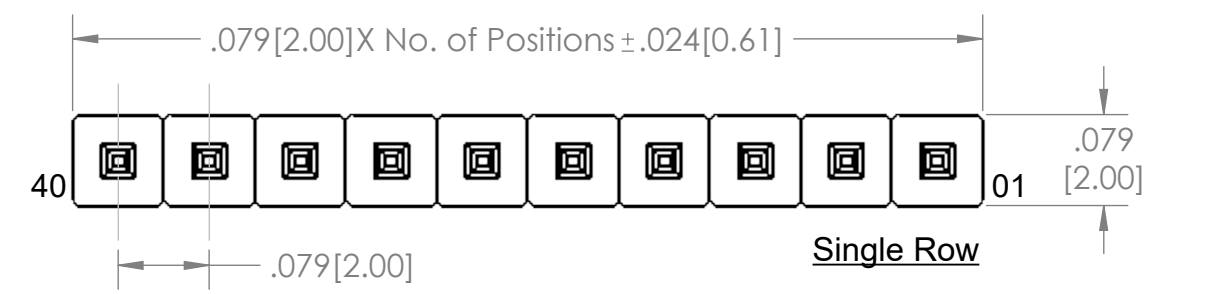
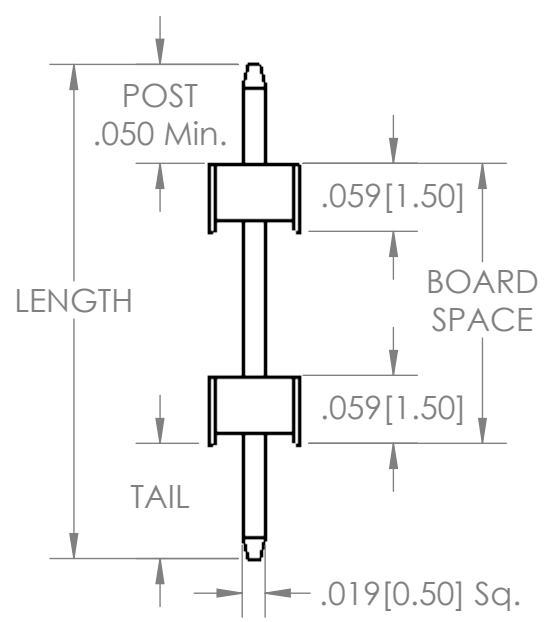
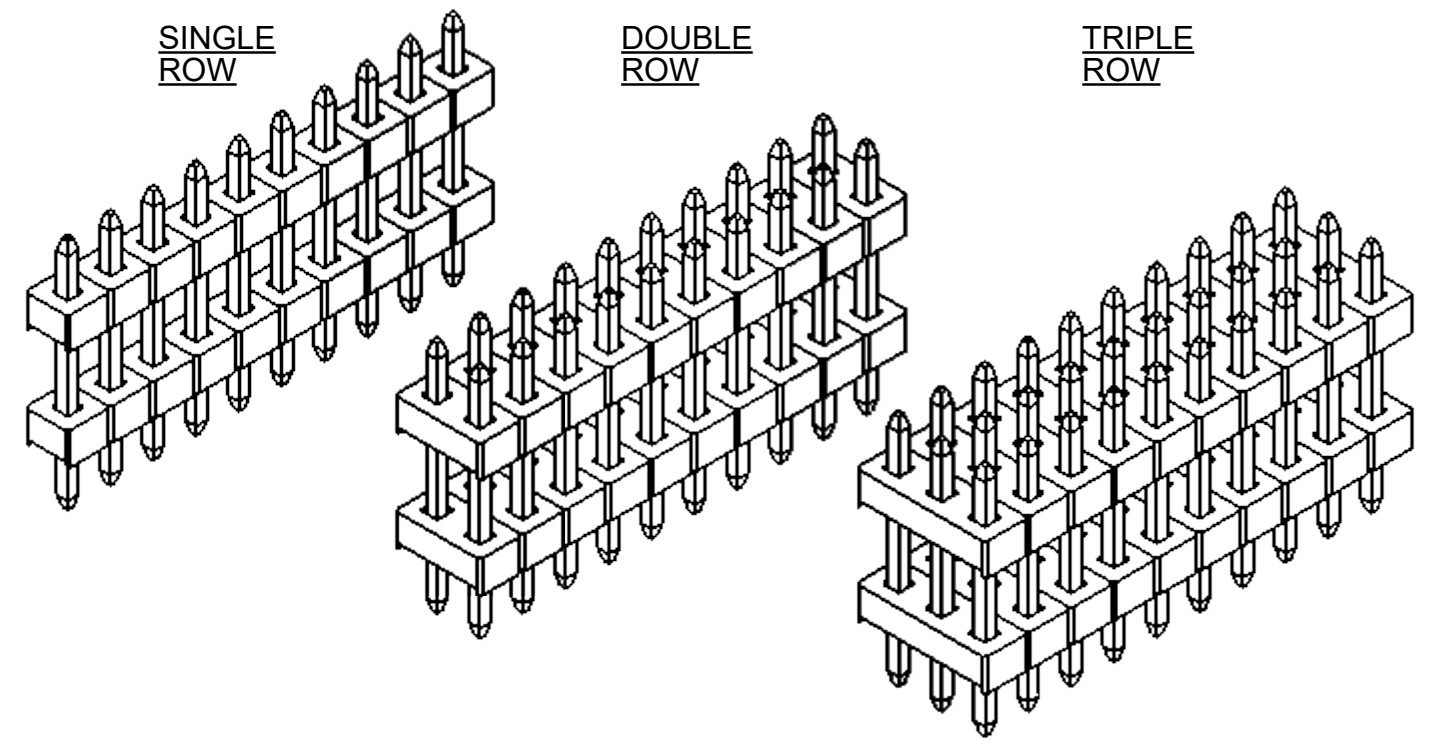
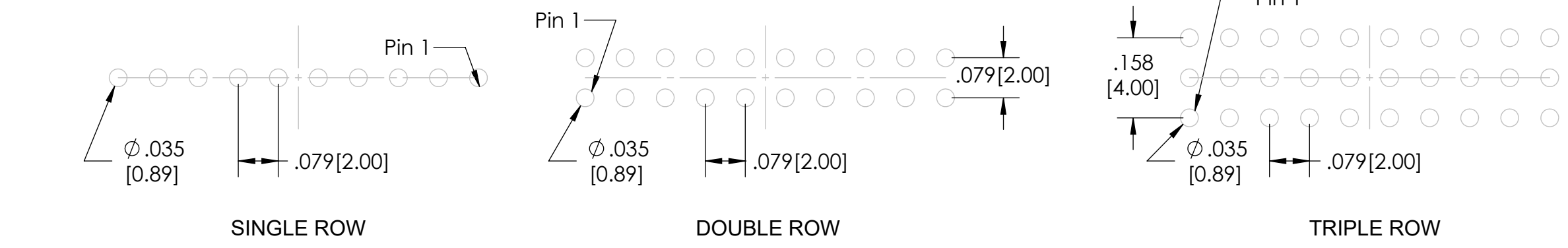


Recommended P.C. Board Layout
SCALE 4:1



BSTC-2 **XX** - **X** - **XXX** - **XX** - **XXX** - **XX** - **XXX** - **XX** - **XXX** - **LF**
(A) (B) (C) (D) (E) (F) (G) (H) (I) (J)

- A. Pins Per Row - 1 through 40
- B. Row Specification - S= Single Row, D= Double Row, T= Triple Row
- C. Desired Tail Length - Please specify tail length - e.g. .100(2.54)=100
- D. Pin Options - See Pin Options below
- E. Desired Post Height - If left blank - Post(P) = Length(L) - Board Space(B) - Tail Length(T)
- F. Plating Options - See Plating Options below
- G. Desired Board Space - Please Specify required space - E.g. .100(2.54)=100 - .200(5.08) min.
- H. Lock Tight "LT" (Optional) - Leave blank if not needed - LT= With
- I. Polarized Position - Leave blank if not needed - If required, specify empty pin position - e.g. 012 for Pin 12
- J. Lead Free

Mates with:
BCSS,
BSSH,
BSSHC,
BSSQ,
BSSQC,
BSSQM,
LSMBC,
LSSHSM,
SMBC,
SSHQ,
SSHQR,
SSHR,
SSHSM,
ULSMBC.

Plating options	
G	-10µ Gold on Contact Area/ Flash on Tail
T	-Matte Tin all Over
GT	-10µ Gold on Contact Area/ Matte Tin on Tail
H	-30µ Gold on Contact Area/ Matte Tin on Tail
F	-Gold Flash over Entire Pin
FT	- Gold Flash on Contact Area/ Matte Tin on Tail

Pin Options	
Length	
.255[6.48mm]	01
.323[8.20mm]	02
.377[9.58mm]	03
.397[10.08mm]	04
.417[10.59mm]	06
.456[11.58mm]	07
.555[14.10mm]	08
.535[13.59mm]	09
.575[14.61mm]	10
.594[15.09mm]	12
.614[15.60mm]	14
.673[17.09mm]	15
.713[18.11mm]	16
.733[18.62mm]	17
.752[19.10mm]	18
.830[21.08mm]	22
.871[22.12mm]	24
.950[24.13mm]	28
1.110[27.94mm]	30
1.170[43.18mm]	36

Specifications:
Current Rating: 3.0 Ampere
Insulation Resistance: 1000M Ohms Min.
Dielectric Withstanding: 500V AC
Contact Resistance: 20M Ohms Max.
Operation Temperature: -40°C to +105°C
Max. Process Temperature
Peak: 260°C up to 20 secs.
Process: 230°C up to 60 secs.
Wave: 260°C up to 6 secs.
Manual Solder: 350°C up to 5 secs.

Materials:
Contact Material: Phosphor Bronze
Insulator Material: Nylon 6T
Plating: Au or Sn over 50µ" (1.27) Ni

* N/A With .180 Tail
Post + Board Space + Tail must not exceed Overall Length

Tails may be clipped to achieve specific dimensions.
Products cut to specific sizes are uncancellable/ nonreturnable.
Parts are subject to change without notice.



PROPRIETARY AND CONFIDENTIAL
THE INFORMATION CONTAINED IN THIS DRAWING IS THE SOLE PROPERTY OF Major League Electronics. ANY REPRODUCTION IN PART OR AS A WHOLE WITHOUT THE WRITTEN PERMISSION OF Major League Electronics IS PROHIBITED.

UNLESS OTHERWISE SPECIFIED:		NAME	DATE
DIMENSIONS ARE IN INCHES		DRAWN	EOW 01/28/14
TOLERANCES:		CHECKED	GWE 01/28/14
ONE DECIMALS ±.100		ENG APPR.	
TWO DECIMAL ±.010		MFG APPR.	
THREE DECIMAL ±.005		ADDRESS:	
FOUR DECIMAL ±.002		2533 Centennial Blvd.	
NEXT ASSY	USED ON	Jeffersonville, In 47130	
APPLICATION	DO NOT SCALE DRAWING	Phone: 812-670-4174	
		Fax: 812-670-4175	
		E-Mail: mle@melectronics.com	



TITLE: BSTC-2 SERIES
SIZE DWG. NO. **C**
REV **B**
SCALE 6:1 SHEET 1 OF 1