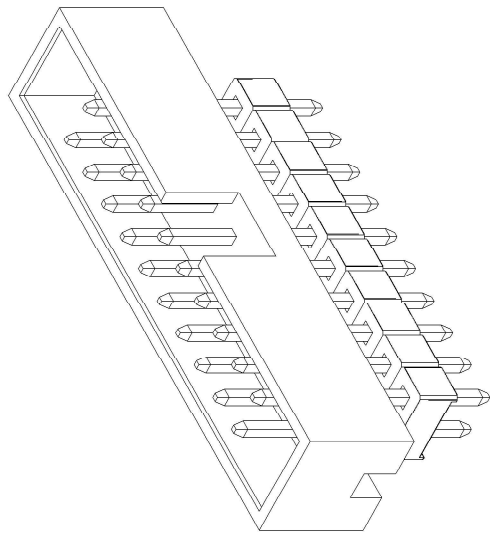
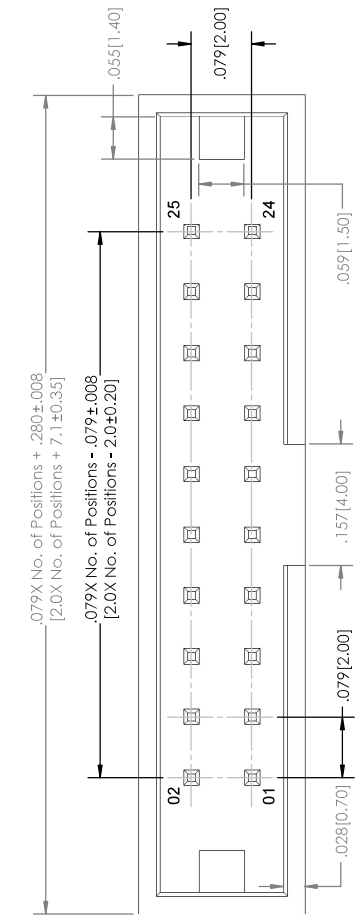
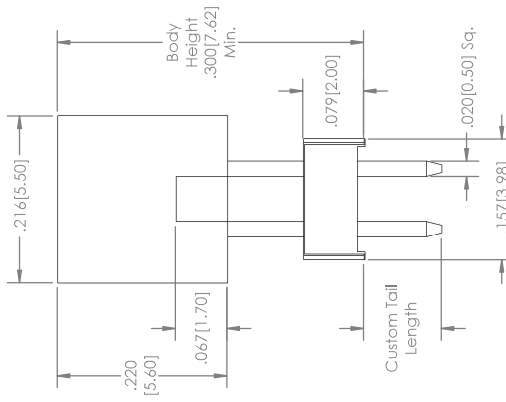
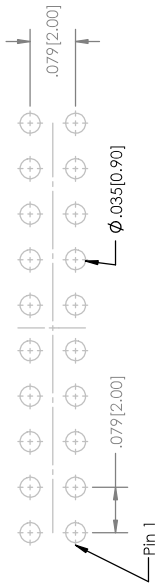


Recommended P.C. Board Layout
SCALE 6:1



SHBSTC-2 XX - D - XXX - XX - XX - XXX - XX - XXX - LF (I)
(A) (B) (C) (D) (E) (F) (G) (H) (I)

- A. Pins Per Row
 - 5 through 25
- B. Row Specification
 - D= Double Row
- C. Desired Tail Option
 - Please specify
 - e.g. .100 [2.54] = 100
- D. Pin Options
 - See Pin Options below
- E. Plating Options
 - See Plating Options below
- F. Desired Body Height
 - Please specify
 - e.g. .300 [7.62] = 300
 - LT = With
 - Leave blank if not needed
- G. Lock tight "LT" (Optional)
 - If required, specify empty pin position
 - 001-050
- H. Polarized Position
 - If required, specify empty pin position
 - 001-050
- I. Lead Free

Mates With:
IDS-2

| Plating options | |
|-----------------|---|
| G | -10u Gold on Contact Area / Flash on Tail |
| T | -Matte Tin all Over |
| GT | -10u Gold on Contact Area / Matte Tin on Tail |
| F | -Gold Flash over Entire Pin |

Specifications:
Current Rating: 1.0 Ampere
Insulation Resistance: 1000M Ohms Min.
Dielectric Withstanding: 500V AC/DC
Contact Resistance: 20M Ohms Max.
Operation Temperature: -40°C to +105°C

Materials:
Contact Material: Copper Alloy
Insulator Material: Polyester UL 94V-0, Nylon 6T
Tail + Board Space must not exceed Overall Length

Tails may be clipped to achieve specific dimensions.
Products cut to specific sizes are uncancellable/ nonreturnable.
Parts are subject to change without notice.

| Pin Options | |
|-----------------|----|
| Overall Length | 06 |
| .417 [10.59mm] | 07 |
| .456 [11.58mm] | 08 |
| .535 [13.59mm] | 09 |
| .555 [14.10mm] | 10 |
| .575 [14.61mm] | 12 |
| .594 [15.09mm] | 14 |
| .614 [15.60mm] | 15 |
| .673 [17.09mm] | 16 |
| .713 [18.11mm] | 17 |
| .733 [18.62mm] | 18 |
| .752 [19.10mm] | 22 |
| .830 [21.08mm] | 24 |
| .871 [22.12mm] | 28 |
| .950 [24.13mm] | 30 |
| 1.110 [27.94mm] | 36 |
| 1.170 [43.18mm] | |

UNLESS OTHERWISE SPECIFIED:
DIMENSIONS ARE IN INCHES
TOLERANCES:
ONE DECIMAL ±.100
TWO DECIMAL ±.010
THREE DECIMAL ±.005
FOUR DECIMAL ±.002

PROPERTY AND CONFIDENTIAL INFORMATION CONTAINED HEREIN IS THE PROPERTY OF MAJOR LEAGUE ELECTRONICS. ANY REPRODUCTION OR TRANSMISSION OF THIS INFORMATION WITHOUT THE WRITTEN PERMISSION OF MAJOR LEAGUE ELECTRONICS IS PROHIBITED.

MAJOR LEAGUE
Electronics

2533 Cottingham Blvd.
Jeffersonville, IN 47130
Phone: 812-457-04174
Fax: 812-457-04175
E-Mail: mlk@majorleagueelectronics.com

TITLE: SHBSTC-2 SERIES
SIZE DWG. NO. C
SCALE 6:1
SHEET 1 OF 1