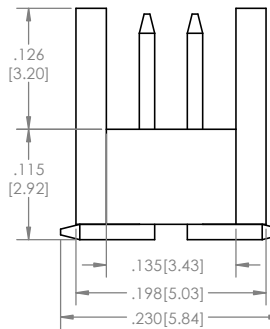
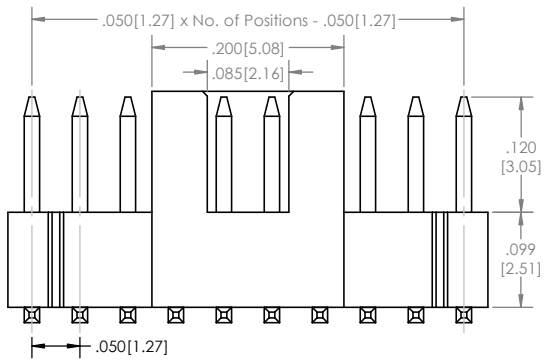
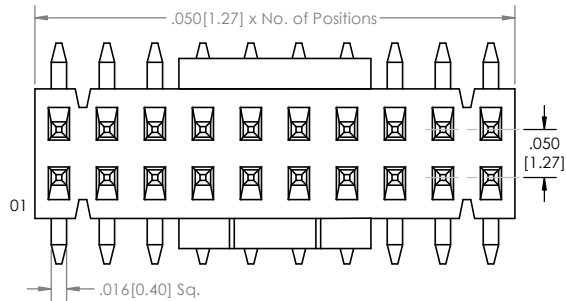
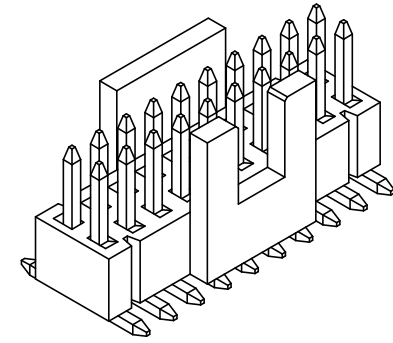
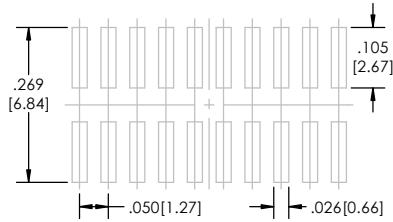


**Recommended P.C. Board Layout**  
SCALE 6:1



TTSHSM-5 **XX** - **D** - **06** - **XX** - **V** - **XXX** - **K** - **XX** - **X** - **LF**  
(A) (B) (C) (D) (E) (F) (G) (H) (I) (J)

- A. Pins Per Row
  - 1 through 40
- B. Row Specification
  - D= Double Row
- C. Pin Options
  - See Pin Option box below
- D. Plating Options
  - See Plating Options below
- E. Vertical
- F. Polarized Position
  - Void Circuit; Leave blank if not required
- G. K= Keying Shroud
- H. Packing Information
  - TR= Tape and Reel
  - TB= Tube
- I. Pad
  - P= Plastic
  - O= No Pad
  - If left blank, packaging at MLE's discretion
  - Pad may be metal, mylar, or plastic
- J. Lead Free

Mates with:  
LSSH  
SMSS  
SSHS.

Plating options		Pin Options	
G	-10µ Gold on Contact Area/ Flash on Tail	Post Height	
T	-Matte Tin all Over	.120	3.05mm 06
GT	-10µ Gold on Contact Area/ Matte Tin on Tail		
H	-30µ Gold on Contact Area/ Matte Tin on Tail		
F	-Gold Flash over Entire Pin		
FT	- Gold Flash on Contact Area/ Matte Tin on Tail		

Specifications:  
Current Rating: 1.0 Ampere  
Insulation Resistance: 1000M Ohms Min.  
Dielectric Withstanding: 300V AC  
Contact Resistance: 20M Ohms Max.  
Operation Temperature: -40°C to +105°C  
Max. Process Temperature  
Peak: 260°C up to 10 secs.  
Process: 230°C up to 60 secs.  
Wave: 260°C up to 6 secs.  
Reflow: 260°C up to 10 sec.  
Manual Solder: 350°C up to 5 secs.

Materials:  
Contact Material: Phosphor Bronze  
Insulator Material: Nylon 6T  
Plating: Au or Sn over 50µ" [1.27] Ni

Tails may be clipped to achieve specific dimensions.  
Products cut to specific sizes are uncancelable/ nonreturnable.  
Parts are subject to change without notice.



PROPRIETARY AND CONFIDENTIAL  
THE INFORMATION CONTAINED IN THIS DRAWING IS THE SOLE PROPERTY OF Major League Electronics. ANY REPRODUCTION IN PART OR AS A WHOLE WITHOUT THE WRITTEN PERMISSION OF Major League Electronics IS PROHIBITED.

UNLESS OTHERWISE SPECIFIED:		NAME		DATE
DIMENSIONS ARE IN INCHES		DRAWN	EOW	04/27/16
TOLERANCES:		CHECKED	GWE	04/27/16
ONE DECIMALS ±.100		ENG APPR.		
TWO DECIMAL ±.010		MFG APPR.		
THREE DECIMAL ±.005		ADDRESS:		
FOUR DECIMAL ±.002		2533 Centennial Blvd. Jeffersonville, IN 47130 Phone: 812-670-4174 Fax: 812-670-4175 E-Mail: mle@mlelectronics.com		
NEXT ASSY USED ON		TITLE: TTSHSM-5-V-K SERIES		
APPLICATION		SIZE DWG. NO. <b>C</b>		
DO NOT SCALE DRAWING		REV <b>A</b>		
		SCALE 10:1		
		SHEET 1 OF 1		

