

SHTSL-1 **XX** - **D** - **02** - **XX** - **XX** - **XXX** - **LF**
(A) **(B)** **(C)** **(D)** **(E)** **(F)** **(G)**

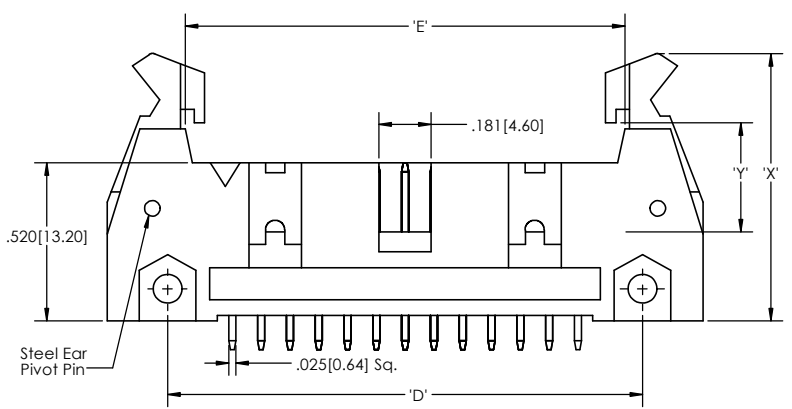
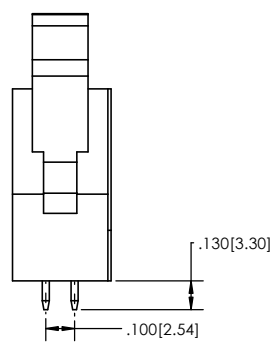
- A. Pins Per Row
- See Chart Below
- B. Row Specification
- D= Double Row
- C. Style
- 02= Black
- D. Plating Options
- See Plating Options below
- E. Ejector Latch
- LL= Long
- SL= Short
- F. Polarized Position
- Leave blank if not needed
- 001- 064
- G. Lead Free

Mates With:
IDS-1

Plating options	
T	Matte Tin all Over
G	10µ Gold on Contact Area/ Flash on Tail
GT	10µ Gold on Contact Area/ Matte Tin on Tail
H	30µ Gold on Contact Area/ Matte Tin on Tail
F	Gold Flash over Entire Pin
FT	Gold Flash on Contact Area/ Matte Tin on Tail

Specifications:
 Current Rating: 2.0 Ampere
 Insulation Resistance: 3000M Ohms Min.
 Dielectric Withstanding: 500V AC for one minute
 Contact Resistance: 30M Ohms Max.
 Operation Temperature: -40°C to +105°C

Materials:
 Contact Material: Phosphor Bronze or Brass
 Insulator Material: PBT, glass reinforced, rated UL 94V-0



Pins Per Row	A	B	C	D	E	ACCESSORIES	X	Y
5	1.269[32.24mm]	0.400[10.16mm]	1.083[27.52mm]	0.849[21.57mm]	0.718[18.25mm]	LONG LATCH	1.035[26.3mm]	0.575[14.6mm]
6	1.369[34.78mm]	0.500[12.70mm]	1.183[30.06mm]	0.949[24.11mm]	0.803[20.39mm]	SHORT LATCH	.972[24.7mm]	0.417[10.6mm]
7	1.469[37.32mm]	0.600[15.24mm]	1.283[32.60mm]	1.049[26.65mm]	0.918[23.33mm]			
8	1.569[39.86mm]	0.700[17.78mm]	1.383[35.14mm]	1.149[29.19mm]	1.018[25.87mm]			
10	1.769[44.94mm]	0.900[22.86mm]	1.583[40.22mm]	1.349[34.27mm]	1.218[30.95mm]			
12	1.969[50.02mm]	1.100[27.94mm]	1.783[45.30mm]	1.549[39.35mm]	1.418[36.03mm]			
13	2.069[52.56mm]	1.200[30.48mm]	1.883[47.84mm]	1.649[41.89mm]	1.518[38.57mm]			
15	2.269[57.64mm]	1.400[35.56mm]	2.083[52.92mm]	1.849[46.97mm]	1.718[43.65mm]			
17	2.469[62.72mm]	1.600[40.64mm]	2.283[58.00mm]	2.049[52.05mm]	1.918[48.73mm]			
20	2.769[70.34mm]	1.900[48.26mm]	2.583[65.62mm]	2.349[59.67mm]	2.218[56.35mm]			
22	2.969[75.42mm]	2.100[53.34mm]	2.783[70.70mm]	2.549[64.75mm]	2.418[61.43mm]			
25	3.269[83.04mm]	2.400[60.96mm]	3.083[78.32mm]	2.849[72.37mm]	2.718[69.05mm]			
30	3.769[95.74mm]	2.900[73.66mm]	3.583[91.02mm]	3.349[85.07mm]	3.218[81.75mm]			
32	3.969[100.82mm]	3.100[78.74mm]	3.783[96.10mm]	3.549[90.15mm]	3.418[86.83mm]			

Tails may be clipped to achieve specific dimensions.
 Products cut to specific sizes are uncancelable/ nonreturnable.
 Parts are subject to change without notice.



PROPRIETARY AND CONFIDENTIAL
 THE INFORMATION CONTAINED IN THIS DRAWING IS THE SOLE PROPERTY OF Major League Electronics. ANY REPRODUCTION IN PART OR AS A WHOLE WITHOUT THE WRITTEN PERMISSION OF Major League Electronics IS PROHIBITED.

UNLESS OTHERWISE SPECIFIED:		NAME		DATE	
DIMENSIONS ARE IN INCHES		DRAWN		EOW	
TOLERANCES:		CHECKED		GWE	
ONE DECIMALS ±.100		ENG APPR.			
TWO DECIMAL ±.010		MFG APPR.			
THREE DECIMAL ±.005		ADDRESS:		2533 Centennial Blvd.	
FOUR DECIMAL ±.002		MATERIAL:		Jeffersonville, In 47130	
NEXT ASSY USED ON		FINISH:		Phone: 812-670-4174	
APPLICATION		DO NOT SCALE DRAWING		Fax: 812-670-4175	
				E-Mail: mle@mlelectronics.com	

MAJOR LEAGUE Electronics

TITLE: SHTSL-1 SERIES

SIZE DWG. NO. **C**

REV **C**

SCALE 3:1

SHEET 1 OF 1