

TSHFL-1 **XX** - **S** - **XX** - **X** - **LF**  
 (A) (B) (C) (D) (E)

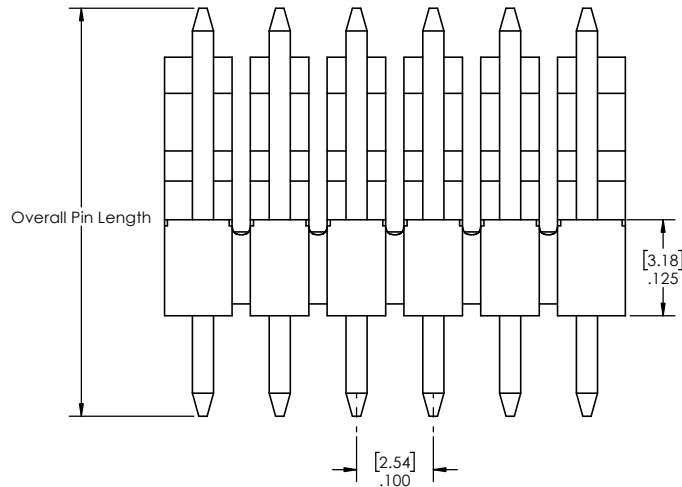
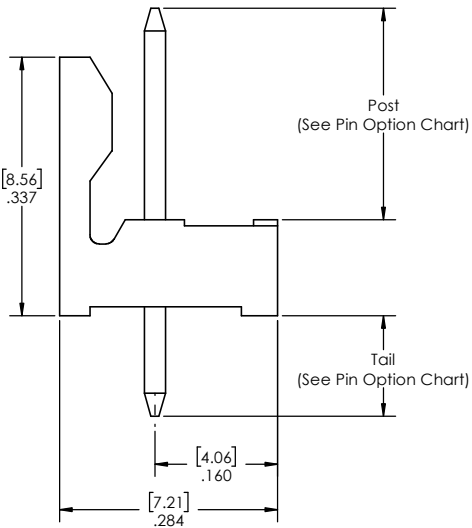
- A. Pins Per Row  
- 02-36
- B. Row Specification  
- S= Single Row
- C. Pin Options  
- See Pin Options Below
- D. Plating Option  
- See Plating Options Below
- E. Lead Free

Pin Options			
Pin Option	Overall Pin Length	Post	Tail
01	0.540 [13.72]	0.295 [7.49]	0.120 [3.05]
02	0.555 [14.10]	0.295 [7.49]	0.135 [3.43]

Plating Options	
F	-Gold Flash Plating Overall
T	-Tin Plating Overall
FT	-Gold Flash on Contact Area/Tin on Tails

Specifications:  
 Current Rating: 3.0 Ampere  
 Insulation Resistance: 1000M Ohms Min.  
 Dielectric Withstanding: 600V AC  
 Contact Resistance: 20M Ohms Max.  
 Operation Temperature: -40°C to +125°C  
 Max. Process Temperature  
 Peak: 260°C up to 20 secs.  
 Process: 230°C up to 60 secs.  
 Wave: 260°C up to 6 secs.  
 Manual Solder: 350°C up to 5 secs.

Materials:  
 Contact Material: Phosphor Bronze  
 Insulator Material: Nylon 6T (or equivalent)  
 UL94V-0  
 Plating: Au or SN over 50µ" (1.27) Ni



PROPRIETARY AND CONFIDENTIAL  
 THE INFORMATION CONTAINED IN THIS DRAWING IS THE SOLE PROPERTY OF Major League Electronics. ANY REPRODUCTION IN PART OR AS A WHOLE WITHOUT THE WRITTEN PERMISSION OF Major League Electronics IS PROHIBITED.

UNLESS OTHERWISE SPECIFIED:		NAME	DATE
DRAWN	GWE	08/01/19	
CHECKED	NDC	08/01/19	
ENG APPR.			
MFG APPR.			
ADDRESS:		2533 Centennial Blvd. Jeffersonville, IN 47130 Phone: 812-670-4174 Fax: 812-670-4175 E-Mail: mle@mlelectronics.com	
DIMENSIONS ARE IN INCHES TOLERANCES: ONE DECIMALS ± .100 TWO DECIMAL ± .010 THREE DECIMAL ± .005 FOUR DECIMAL ± .002		TITLE: TSHFL-1 SIZE DWG. NO. <b>C</b>	
DO NOT SCALE DRAWING		SCALE: 6:1	REV <b>A</b> SHEET 1 OF 1

