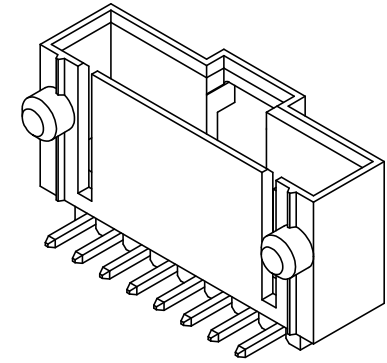
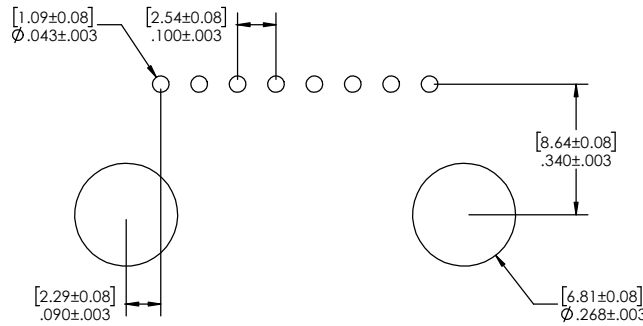
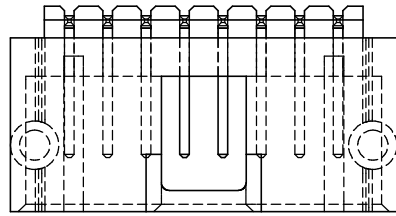
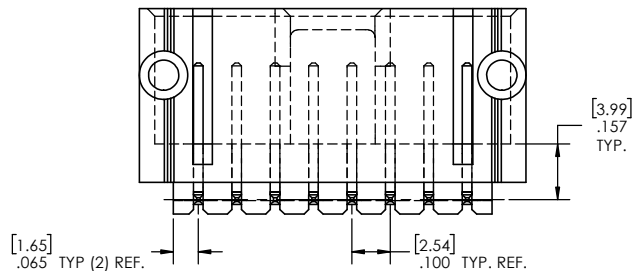
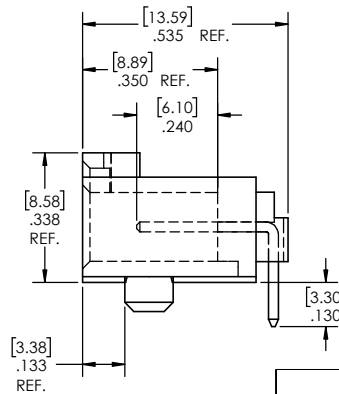
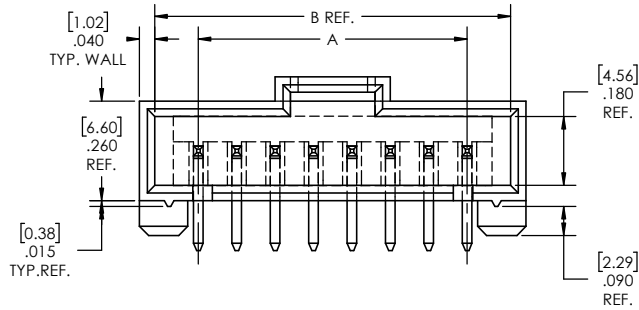


Recommended P.C. Board Layout
SCALE 4:1



HWHR-1 **XX** - **S** - **02** - **XX** - **LF**
(A) **(B)** **(C)** **(D)** **(E)**

- A. Pins Per Row
 - See CKT. Size chart below
- B. Row Specification
 - S = Single Row
- C. Pin Option
 - 02 – Right Angle Type
- D. Plating Option
 - G = 15μ Gold Plating over Nickel



Specifications	
Current Rating:	3A AC,DC
Insulation Resistance:	1000M Ω Min
Dielectric Withstanding:	600V AC
Contact Resistance:	20M Ω Max
Operation Temperature:	-40°C to +125°C
Max Process Temperature	
Peak:	260°C up to 10 sec.
Process:	230°C up to 60 sec.
Wave:	260°C up to 6 sec.
Reflow:	260°C up to 10 sec.
Manual Solder:	350°C up to 5 sec.
Materials	
Contact Material:	Brass
Insulator Material:	Nylon 6T UL94V-0
Plating: 15μ Gold over Ni.	
All Materials used by MLE in production of our components are fully RoHS/REACH Compliant	

CKT. Size	"A"		"B"	
	Inches	MM	Inches	MM
4	0.300	7.62	0.490	12.45
5	0.400	10.16	0.590	14.99
6	0.500	12.7	0.690	17.53
7	0.600	15.24	0.790	20.07
8	0.700	17.78	0.890	22.61
9	0.800	20.32	0.990	25.15
10	0.900	22.86	1.090	27.69
11	1.000	25.4	1.190	30.23
12	1.100	27.94	1.290	32.77
13	1.200	30.48	1.390	35.31
14	1.300	33.02	1.490	37.85
15	1.400	35.56	1.590	40.39
16	1.500	38.1	1.690	42.93
17	1.600	40.64	1.790	45.47
18	1.700	43.18	1.890	48.01
19	1.800	45.72	1.990	50.55
20	1.900	48.26	2.090	53.09
21	2.000	50.8	2.190	55.63
22	2.100	53.34	2.290	58.17
23	2.200	55.88	2.390	60.71
24	2.300	58.42	2.490	63.25
25	2.400	60.96	2.590	65.79



PROPRIETARY AND CONFIDENTIAL
 THE INFORMATION CONTAINED IN THIS DRAWING IS THE SOLE PROPERTY OF Major League Electronics. ANY REPRODUCTION IN PART OR AS A WHOLE WITHOUT THE WRITTEN PERMISSION OF Major League Electronics IS PROHIBITED.

UNLESS OTHERWISE SPECIFIED:		NAME	DATE
DRAWN	GWE	05/14/19	
CHECKED	NDC	05/14/19	
ENG APPR.			
MFG APPR.			
ADDRESS:	2533 Centennial Blvd. Jeffersonville, In 47130 Phone: 812-670-4174 Fax: 812-670-4175 E-Mail: mle@mlelectronics.com		
DIMENSIONS ARE IN INCHES TOLERANCES: ONE DECIMALS ±.100 TWO DECIMAL ±.010 THREE DECIMAL ±.005 FOUR DECIMAL ±.002		TITLE: HWHR-1	
DO NOT SCALE DRAWING		SIZE DWG. NO. C	REV A



SCALE: 6:1	SHEET 1 OF 1
------------	--------------